

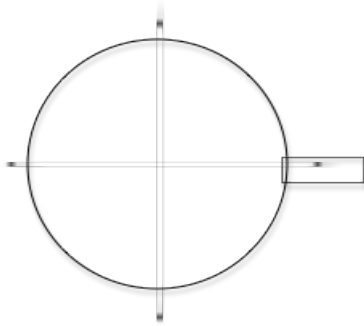


2016 World Latte Art Championship
VISUAL SCORE SHEET - PRELIMINARY ROUND

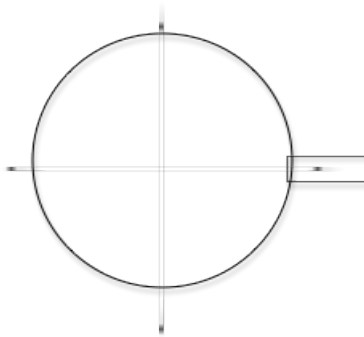
Country

Competitor

Judge



Two patterns and presented picture identical	Visual Foam Quality	Contrast between ingredients	Harmony, size and position among patterns in cup	Creativity of the pattern	Successfully achieved level of difficulty	Overall appealing look	Total
x 2		x 2		x 2	x 2	x 2	
Both Cups identical	Silky and creamy	Slight blurring in picture	Symmetry matching cup	Mastery	Complex design	Definition	Notes/Comments
Only one identical	Shiny and glossy	Significant blurring in picture	Position of design	Expressionistic or realistic	Safe design	Pattern was confusing	
Only one was similar	No bubbles		Handle in correct position	Original	Definition	Lacked Clarity	
Cup under filled	Dry foam			Surprising	Messy and rushed	Clear defined lines	
	Matte with no gloss						



Two patterns and presented picture identical	Visual Foam Quality	Contrast between ingredients	Harmony, size and position among patterns in cup	Creativity of the pattern	Successfully achieved level of difficulty	Overall appealing look	Total
x 2		x 2		x 2	x 2	x 2	
Both Cups identical	Silky and creamy	Slight blurring in picture	Symmetry matching cup	Mastery	Complex design	Definition	Notes/Comments
Only one identical	Shiny and glossy	Significant blurring in picture	Position of design	Expressionistic or realistic	Safe design	Pattern was confusing	
Only one was similar	No bubbles		Handle in correct position	Original	Definition	Lacked Clarity	
Cup under filled	Dry foam			Surprising	Messy and rushed	Clear defined lines	
	Matte with no gloss						

Professional/Performance (Hospitality skills, confidence, flair)
x 4
Eye Contact
Professional Attire
Explanation
Quality of images
Spills on cups

Free Pour Latte	Designer Latte	Performance	=	TOTAL SCORE
(0-72 pts)	(0-72 pts)	(0-24 pts)		(0-168 pts)